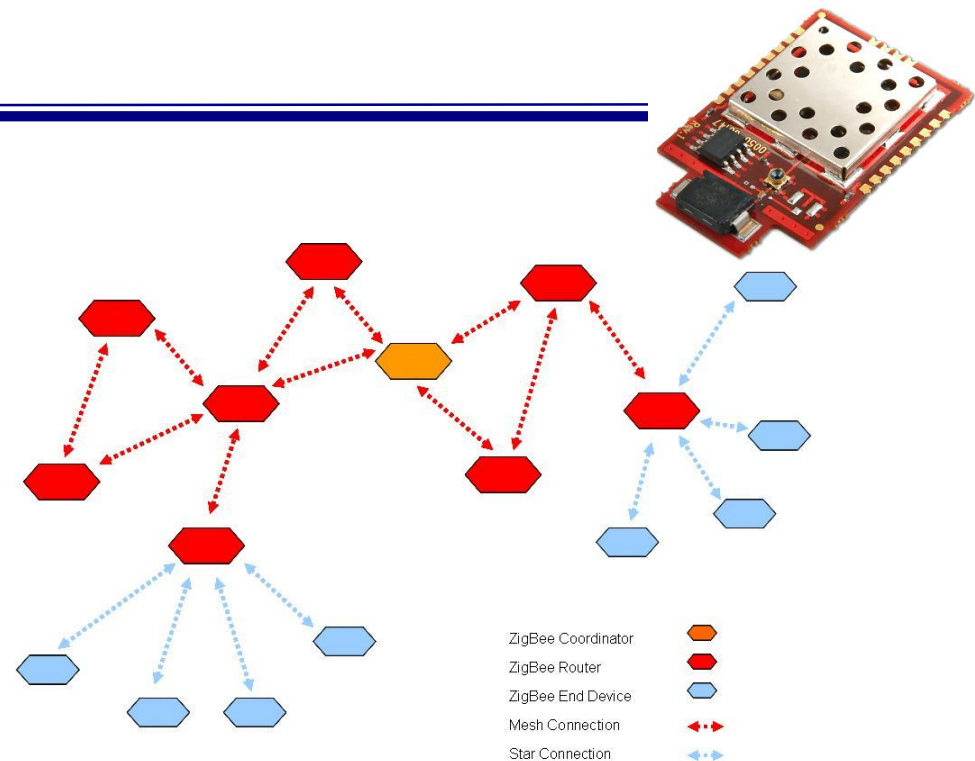


ZB2430 - ZigBee Product Range

ZB2430 Family	
Form Factor	Surface Mount
Output Power	100mW (FCC/IC) 40mW (CE)
Outdoor Range	4.8 km (Ext Ant)
Consumption	7.6 uA sleep - 140 mA max
Sensitivity	-100 dB typical
Serial Data Rate	Up to 115 kbps
RF Baud Rate	250 kbps
Frequency Band	2.4000 – 2.4835 GHz
Temp Range	-40 °C to +85 °C
Size	25.4 mm x 40 mm x 4.1 mm
Ordering Information	
Co-ordinator	Z100S1*FC / Z040S1*FC
Router	Z100S1*FR / Z040S1*FR
End Device	Z100S1*FE / Z040S1*FE
Commissioner ¹	Z001S1*FM / Z040S1*FM
¹ Commissioner required for Over the Air firmware upgrades only.	
Antenna Options	Integrated 2dBi ceramic antenna * = A u.FL connector for external antenna * = U



ZB2430 Development Kits			
Contents: 1 x Co-ordinator Module, 3 x Router modules, 1 End Device, 1 Commissioner (in -M kits), Software and Evaluation Boards			
40mW (CE approved)	100mW (FCC/IC approved)	40mW w/Commissioner	100mW w/Commissioner
SDK-Z040S1*F	SDK-Z100S1*F	SDK-Z040S1*F-M	SDK-Z100S1*F-M
Additional Evaluation Boards available			

Simple, robust and approved – the fastest route to wireless mesh

- ⇒ IEEE 802.15.4 and ZigBee Compliant
- ⇒ Over-the-Air Download (OAD) Firmware Upgrades
- ⇒ Excellent selectivity gives improved coexistence with Wi-Fi
- ⇒ Easy to use GUI configuration and optimization utility